

# Technical Data

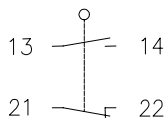
## Plastic Switch

### Series TI2

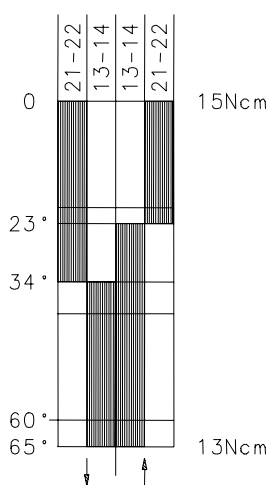
Description **TI2-SU1 AD VS**



Article number **6188187022**

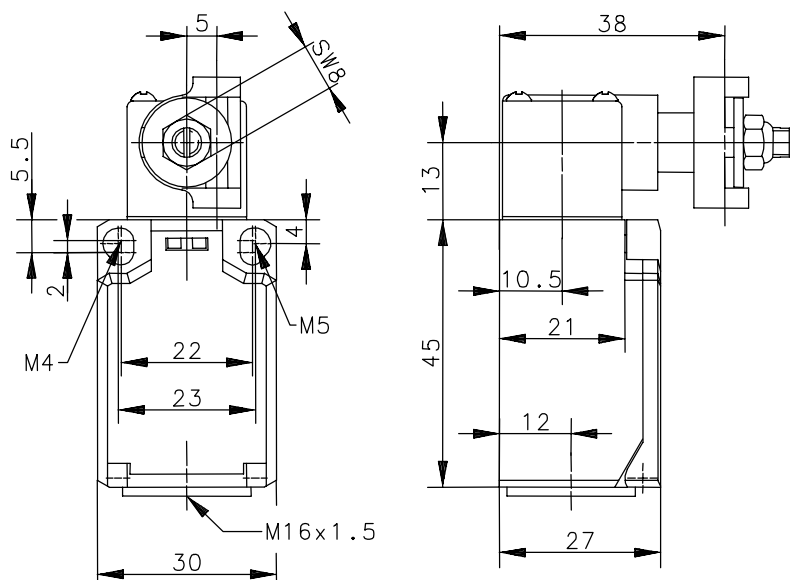
#### Operating symbol



#### Operating diagram



  Tolerance:  
 On Off Operating point  $\pm 3,5^\circ$ ;  
 Operating torque  $\pm 10\%$



#### Electrical data

Rated insulation voltage	$U_i$	250V AC
Conv. thermal current	$I_{the}$	10A
Rated operational voltage	$U_e$	240V
Utilization category		A300, AC-15, $U_e/I_e$ 240V/3A
Short-circuit protective device		Fuse 6A gL/gG IEC/EN 60947-5-1, Annex K
Protection class		II, totally insulated

This document will not become the contractual basis; the details included herein do not constitute any descriptions of expected conditions, so that warranties/claims for defects on account of possible variations of the actual qualities from the qualities described herein are explicitly excluded. All rights reserved. Specifications subject to change without notice!

Date of issue: 12.03.2004 / Page 1 of 2  
 Document : 6188187022\_en / Last update : 1 / 2093-04